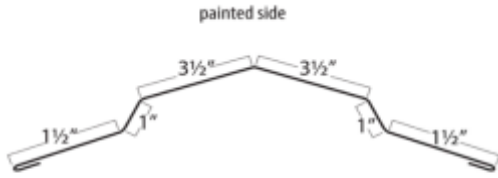
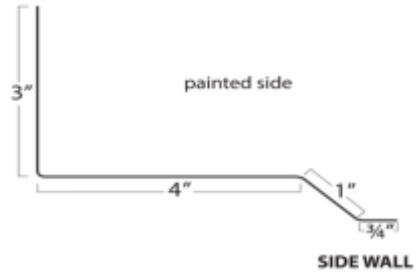


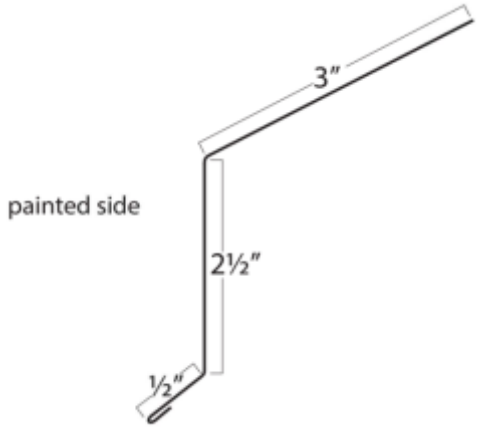
# ALPINE TRIMS



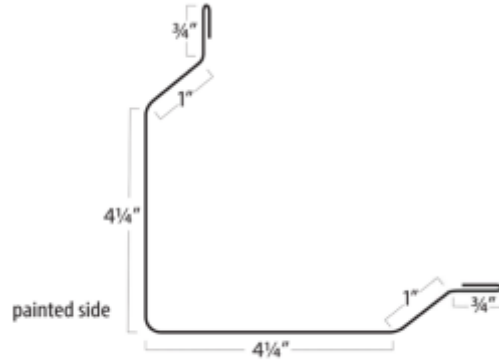
**RIDGE CAP**



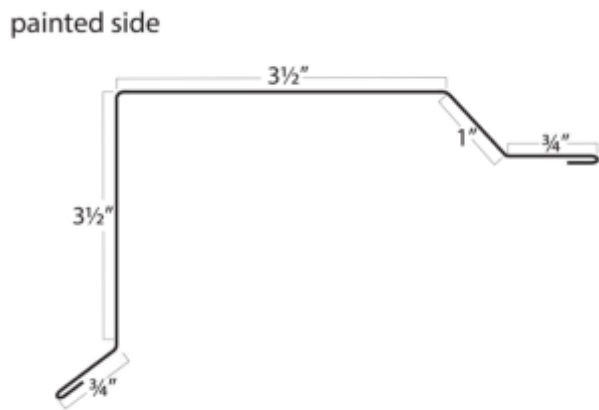
**SIDE WALL**



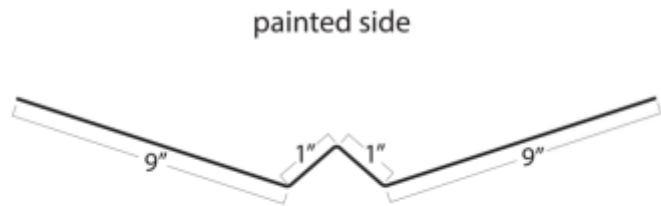
**RESIDENTIAL EAVE**



**OUTSIDE CORNER**



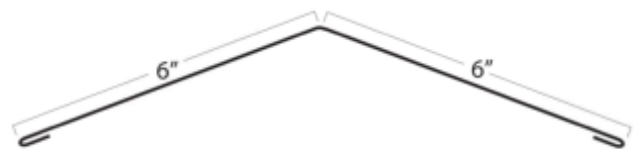
**RESIDENTIAL RAKE**



**VALLEY TRIM**



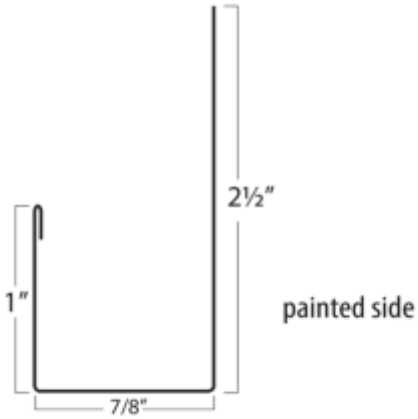
**WIDE VALLEY TRIM**



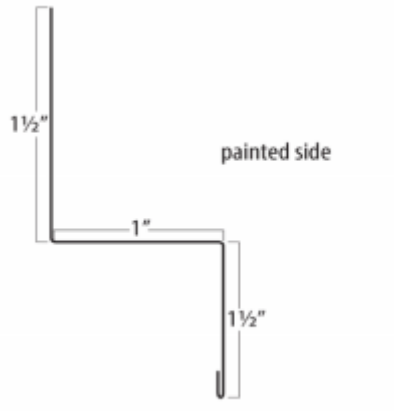
\*specify pitch

**RESIDENTIAL HIP CAP**

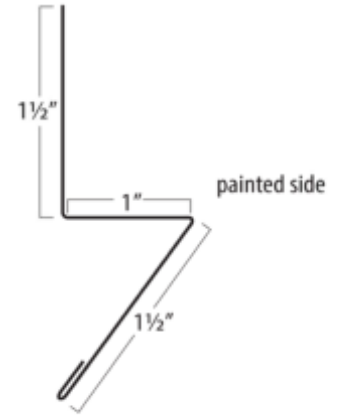
# ALPINE TRIMS



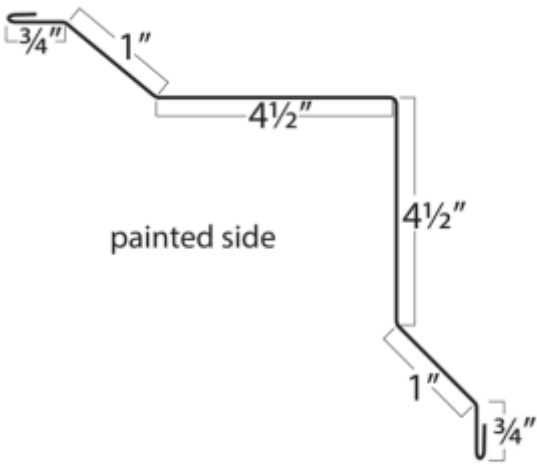
**J-TRIM**



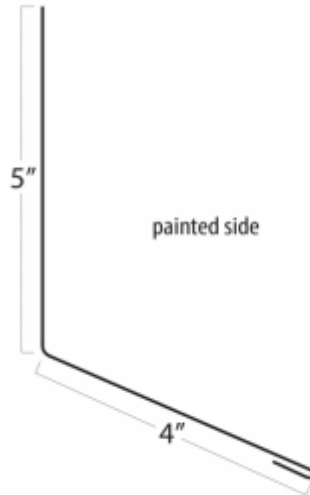
**DOUBLE ANGLE**



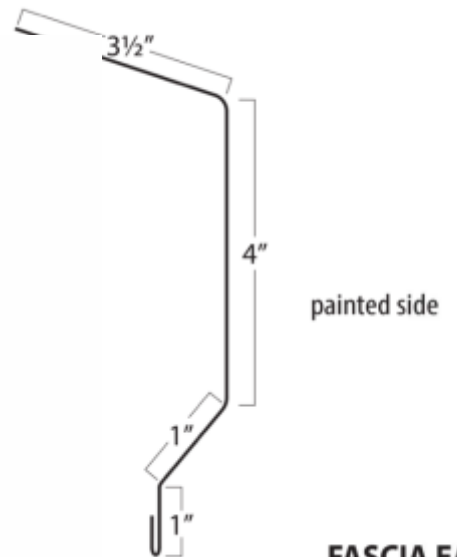
**RAT GUARD**



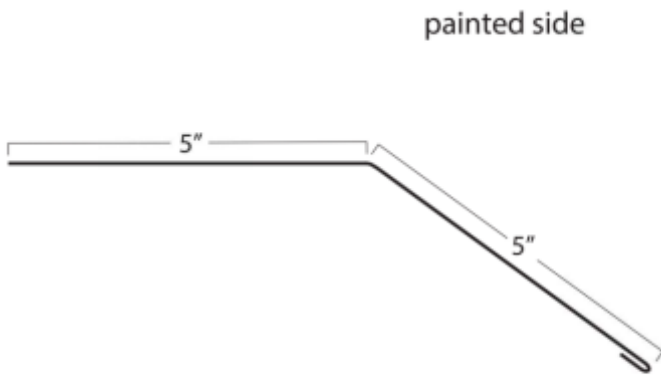
**INSIDE CORNER**



**DENVER ENDWALL**

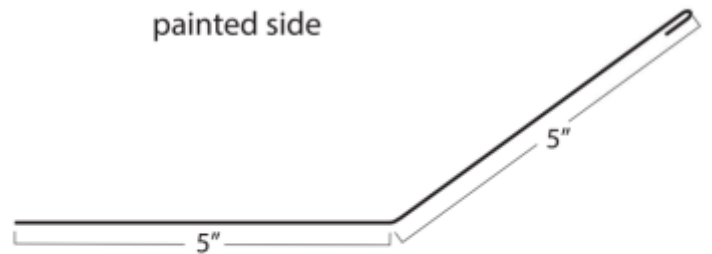


**FASCIA EAVE**



\*specify pitch

**UPPER GAMBREL**



\*specify pitch

**LOWER GAMBREL**